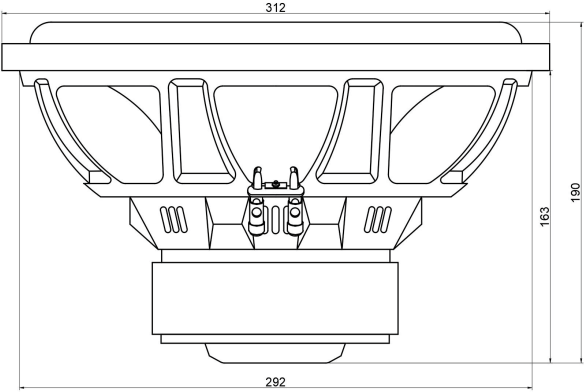
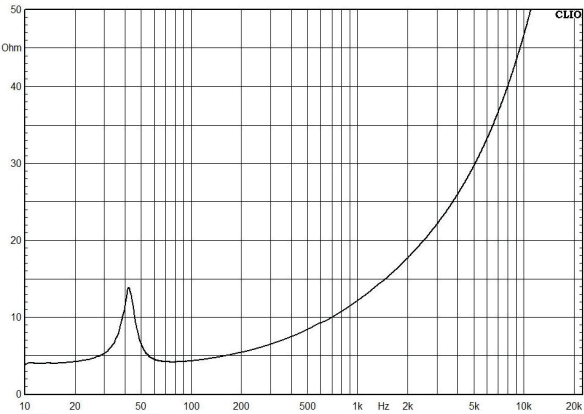


General Data		Unit	Features	
Overall Dimensions	312*190	mm	* Steel Basket	
Nominal Power Handling	600	W	* Pressed Paper Cone With Foam Surround	
Maximum Power	2000	W	* High Temperature 2.5" Voice Coil	
Sensitivity	90	dB	* Ferrite Magnet Structure	
Frequency Response	35-1500	Hz	Dimensions	
Cone Material	Pressed Paper Cone			
Basket	Steel			
Net Weight	5.6	kg		
Electrical Data				
Nominal Impedance	4+4	Ohm		
DC Resistance	4+4	Ohm		
Voice Coil and Magnet Parameters				
Voice Coil Diameter	Φ63.5	mm		
Voice Coil Height	35	mm		
Magnetic Gap Height	8	mm		
Magnet system type	High Flux Ferrite			
Voice Coil Robin	BASV			
Number of Layers	4			
T-S Parameters				
Suspension Compliance	0.073	Cms		
Mechanical Q Factor	6.12	Qms		
Electrical Q Factor	2.17	Qes		
Total Q Factor	1.6	Qts		
Moving Mass	192.3279	Mms		
Eq.Cas AIR Loaded	22.6497	Vas		
Resonant Frequency	42.48	Fs		
Effective Piston Area	4.71E+02	SD		