

Model:RS-VQ12

30 CM Subwoofer Speaker



SPECIFICATIONS

General Data		Unit
Overall Dimensions	325x228	mm
Nominal Power Handling	3000	W
Maximum Power	6000	W
Sensitivity	83	db
Frequency Response	30-500	Hz

FEATURES

- \* Aluminium Basket
- \* Carbon fiber Cone With Treated Foam Surround
- \* High Temperature 4.0" Voice Coil
- \* Ferrite Magnet Structure

Cone Material	Carbon fiber Cone	
Basket	Aluminium	
Net Weight	31	kg

Electrical Data

Nominal Impedance	1X1/2X2	ohm
DC Resistance	2X1.0/2X2	ohm

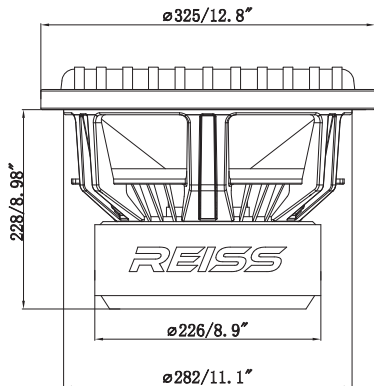
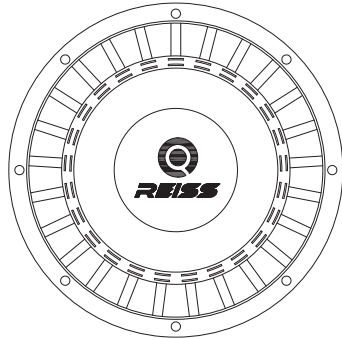
Voice Coil and Magnet Parameters

Voice Coil Diameter	99.2	mm
Voice Coil Height	65	mm
HE magnetic Gap Height	24	mm
Voice Coil bobbin	AL	
Number of Layers	4L	
Magnet System Type	Ferrite	

T-S Parameters

Suspension Compliance	18.4/16.5	Cms
Mechanical Q Factor	3.71/3.32	Qms
Electrical Q Factor	1.68/1.72	Qes
Total Q Factor	1.01/1.05	Qts
Moving Mass	341/332	Mms
Eq.Cas AIR Load	11.2/10.5	Vas
Resonant Frequency	72.5/73.2	Fs
Effective Piston Area	491cm <sup>2</sup>	SD

Dimensions



Model:RS-VQ15

38 CM Subwoofer Speaker



SPECIFICATIONS

General Data		Unit
Overall Dimensions	392x252	mm
Nominal Power Handling	3500	W
Maximum Power	7000	W
Sensitivity	85.4	db
Frequency Response	25-500	Hz
Cone Material	Carbon fiber Cone	
Basket	Aluminium	
Net Weight	33	kg
Electrical Data		
Nominal Impedance	1X1/2X2	ohm
DC Resistance	2X1.0/2X2	ohm
Voice Coil and Magnet Parameters		
Voice Coil Diameter	99.2	mm
Voice Coil Height	65	mm
HE magnetic Gap Height	24	mm
Voice Coil bobbin	AL	
Number of Layers	4L	
Magnet System Type	Ferrite	
T-S Parameters		
Suspension Compliance	16.2/14.3	Cms
Mechanical Q Factor	3.94/3.55	Qms
Electrical Q Factor	1.75/1.81	Qes
Total Q Factor	1.13/1.19	Qts
Moving Mass	373/369	Mms
Eq.Cas AIR Load	13.5/12.3	Vas
Resonant Frequency	68.2/69.3	Fs
Effective Piston Area	779cm <sup>2</sup>	SD

FEATURES

- \* Aluminium Basket
- \* Carbon fiber Cone With Treated Foam Surround
- \* High Temperature 4.0" Voice Coil
- \* Ferrite Magnet Structre

Dimensions

