

Model:RS-VL12

30 CM Subwoofer Speaker



SPECIFICATIONS

| General Data | | Unit |
|------------------------|---------|------|
| Overall Dimensions | 325x228 | mm |
| Nominal Power Handling | 2500 | W |
| Maximum Power | 5000 | W |
| Sensitivity | 85 | db |
| Frequency Response | 30-500 | Hz |

FEATURES

- * Aluminium Basket
- * Glass fiber paper composite Cone With Treated Foam Surround
- * High Temperature 3.0" Voice Coil
- * Ferrite Magnet Structure

| | | |
|---------------|----------------------------------|----|
| Cone Material | Glass fiber paper composite Cone | |
| Basket | Aluminium | |
| Net Weight | 26 | kg |

Electrical Data

| | | |
|-------------------|-----------|-----|
| Nominal Impedance | 1X1/2X2 | ohm |
| DC Resistance | 2X1.0/2X2 | ohm |

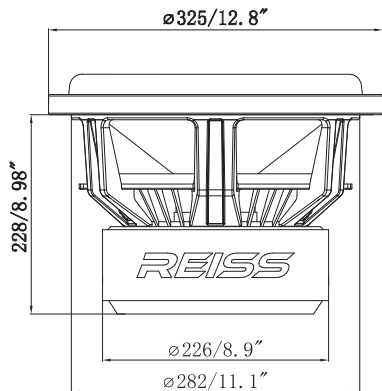
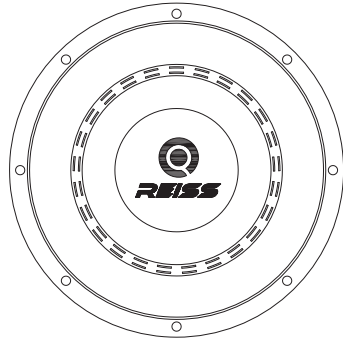
Voice Coil and Magnet Parameters

| | | |
|------------------------|---------|----|
| Voice Coil Diameter | 76.5 | mm |
| Voice Coil Height | 65 | mm |
| HE magnetic Gap Height | 24 | mm |
| Voice Coil bobbin | AL | |
| Number of Layers | 4L | |
| Magnet System Type | Ferrite | |

T-S Parameters

| | | |
|-----------------------|--------------------|-----|
| Suspension Compliance | 28/31 | Cms |
| Mechanical Q Factor | 3.26/3.52 | Qms |
| Electrical Q Factor | 0.64/0.69 | Qes |
| Total Q Factor | 0.55/0.58 | Qts |
| Moving Mass | 303/291 | Mms |
| Eq.Cas AIR Load | 10.2/9.3 | Vas |
| Resonant Frequency | 52.2/53 | Fs |
| Effective Piston Area | 460cm ² | SD |

Dimensions



Model:RS-VL15

38 CM Subwoofer Speaker



SPECIFICATIONS

| General Data | | Unit |
|------------------------|---------|------|
| Overall Dimensions | 392x252 | mm |
| Nominal Power Handling | 3000 | W |
| Maximum Power | 6000 | W |
| Sensitivity | 86 | db |
| Frequency Response | 25-500 | Hz |

FEATURES

- * Aluminium Basket
- * Glass fiber paper composite Cone With Treated Foam Surround
- * High Temperature 4" Voice Coil
- * Ferrite Magnet Structure

| | | |
|---------------|----------------------------------|----|
| Cone Material | Glass fiber paper composite Cone | |
| Basket | Aluminium | |
| Net Weight | 33 | kg |

Electrical Data

| | | |
|-------------------|-----------|-----|
| Nominal Impedance | 1X1/2X2 | ohm |
| DC Resistance | 2X1.0/2X2 | ohm |

Voice Coil and Magnet Parameters

| | | |
|------------------------|---------|----|
| Voice Coil Diameter | 99.2 | mm |
| Voice Coil Height | 65 | mm |
| HE magnetic Gap Height | 24 | mm |
| Voice Coil bobbin | AL | |
| Number of Layers | 4L | |
| Magnet System Type | Ferrite | |

T-S Parameters

| | | |
|-----------------------|--------------------|-----|
| Suspension Compliance | 21.6/23.5 | Cms |
| Mechanical Q Factor | 3.25/2.97 | Qms |
| Electrical Q Factor | 0.69/0.72 | Qes |
| Total Q Factor | 0.61/0.65 | Qts |
| Moving Mass | 373/369 | Mms |
| Eq.Cas AIR Load | 18.2/16.8 | Vas |
| Resonant Frequency | 48.8/50 | Fs |
| Effective Piston Area | 779cm ² | SD |

Dimensions

