



REISS AUDIO

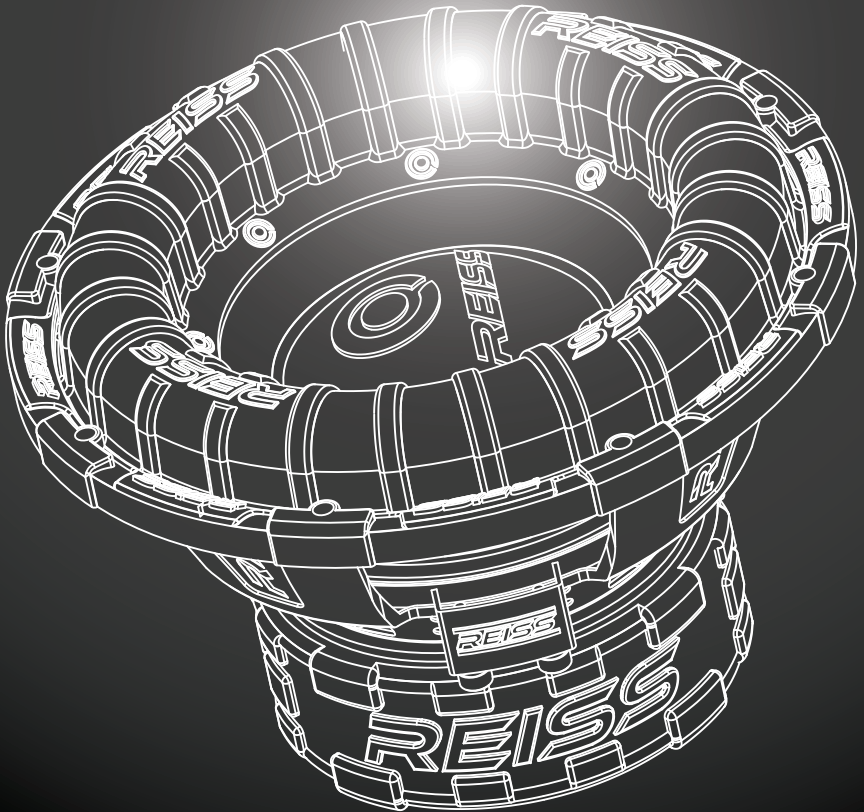
your car hifi specialist

OWNER'S MANUAL

RS-RX12 ULTRA D2

HIGH PERFORMANCE SUBWOOFER

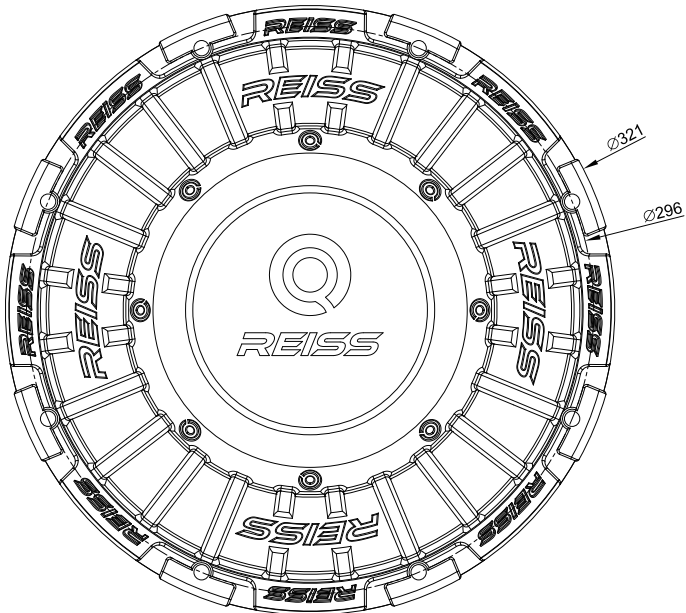
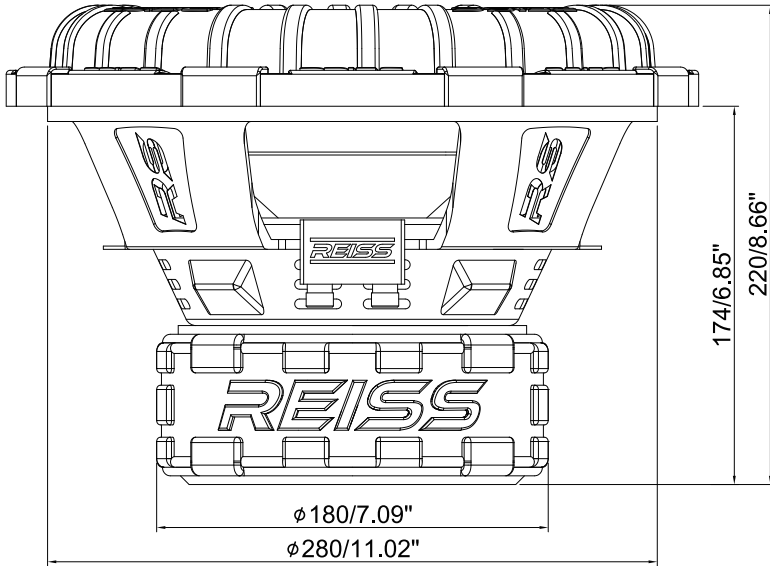
2+2 Ω



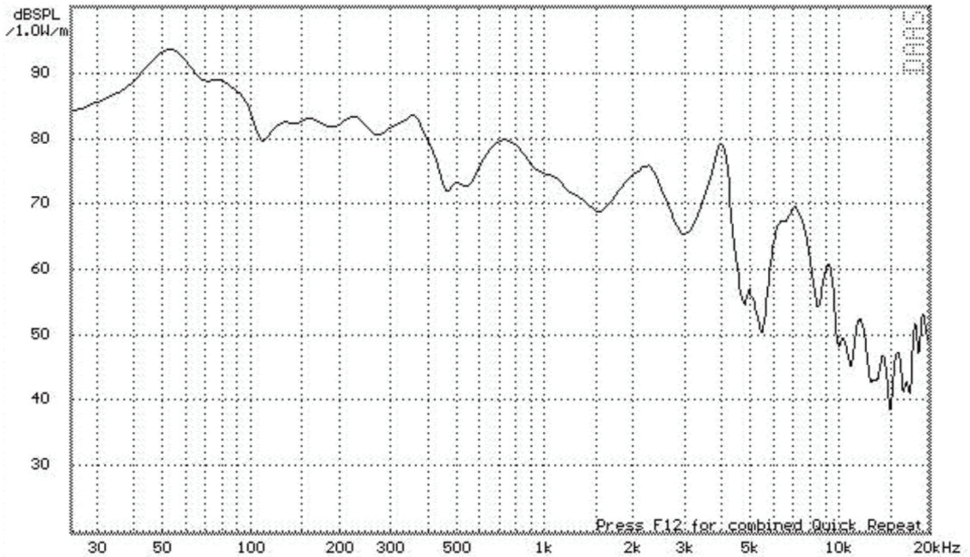
Since 1985

TURKISH ENGINEERING

RS-RX12 ULTRA D2



RS-RX12 ULTRA D2



SPECIFICATIONS

Nominal Diameter	12" / 321mm
Nominal Impedance	2+2 OHMS
RMS Power Handling	1500 Watts
MAX Power Handling	2400 Watts
Sensitivity(1w/1m)	85 dB
Frequency Response	35Hz - 1000Hz
Recommended Lo Pass Crossover.....	150Hz

MOTOR

Voice Coil Diameter	76.5mm / 3"
Voice Coil Former Material	Black Aluminium
Winding Material	CCAW
Cone Material	Non-Pressed Paper
Dustcap Material	PP
Surround Material	Foam
Basket Material	Steel
Basket Color	Red
Magnet Material	Ferrite
Magnet Weight	211oz
Displacement Volume	2.6L/0.092ft3

THIELE & SMALL PARAMETERS

Equivalent Volume	Vas	15.407L /0.54 ft3
Free Air Resonance	Fs	37.883Hz
Mechanical Factor	Qms	5.559
Electrical Factor	Qes	0.788
Total Factor	Qts	0.69
Moving Mass	Mms	327.403g
Compliance	Cms	0.054 mm/N
BL Factor	BL	9.691Tm
Voice Coil Inductance	Le	1.14 mH
Diaphragm Area	Sd	448.6 CM2
DC Resistance	Re	1.6+1.6 OHM
Efficiency Bandwidth Product	EBP.....	48.07

MEASUREMENT

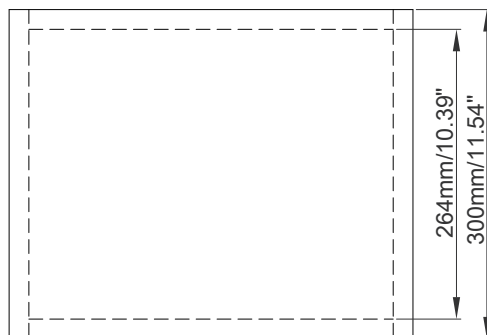
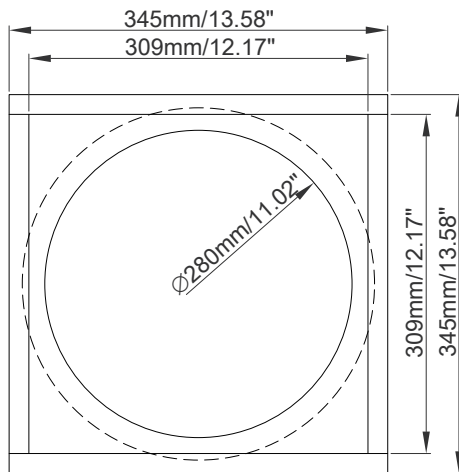
Overall Diameter	321mm / 12.64"
Overall Depth	220mm / 8.66"
Front Mount Baffle Cutout	280mm /11.02"
Mounting Depth	174mm / 6.85"
Motor Diameter	180mm / 7.09"

RECOMMENDED ENCLOSURES

Sealed Internal Volume	23.13L /0.82ft3
Sealed Box Output Response	49.9Hz
Ported Internal Volume	34.11L / 1.2ft3
Port Size *Square (WxHxL)	25mm x 309mm x 600mm 0.98" x12.17" x 23.62"
Port Tuning Frequency	31.96Hz
Ported Box Output Response	26.18Hz

RECOMMENDED BOX DIMENSION

SINGLE SUBWOOFER SEALED BOX



PARAMETERS

Box External Dimensions:
(WxHxD): 345mm x 345mm x 300mm
/ 13.58" x 13.58" x 11.81"

Material Thickness: 18mm / 0.71"

Net Internal Volume: 22.13L / 0.78ft³

WOOD CUTS

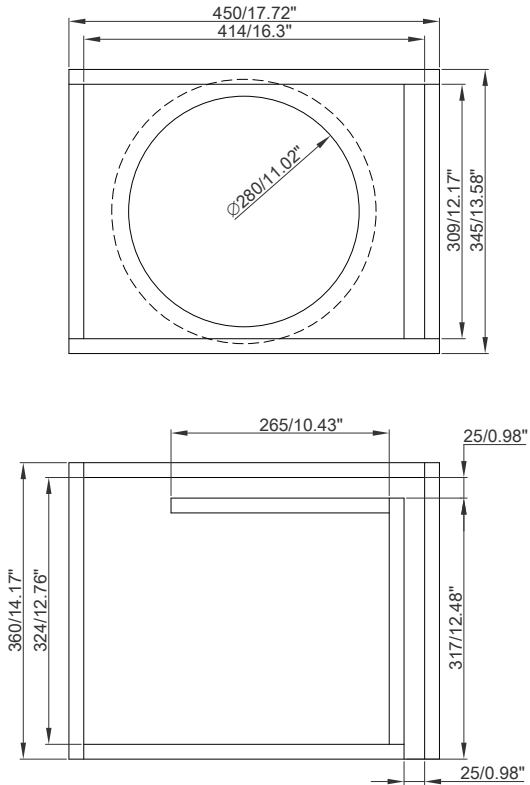
Top - Bottom
(WxH): 300mm x 345mm / 11.81" x 13.58" 2

Front - Rear
(WxH): 309mm x 309mm / 12.17" x 12.17" 2

Left - Right
(WxH): 309mm x 300mm / 12.17" x 11.81" 2

QTY

SINGLE SUBWOOFER PORTED BOX



PARAMETERS

Box External Dimensions:

(WxHxD): 450 x 345 x 360 mm /
17.72" x 13.58" x 14.17"

Material Thickness: 18mm / 0.71"

Net Internal Volume: 34.11L / 1.2ft³

Tuning Frequency: 31.96 Hz

Port Area: 77.25cm² / 11.97 inch²

Port Intel: 25 x 309 mm / 0.98" x 12.17"

Port Length: 600 mm / 23.62"

WOOD CUTS

Top - Bottom

450 x 360 mm / 17.72" x 14.17"

Front: 389 x 309 mm / 15.31" x 12.17"

Rear: 414 x 309 mm / 16.3" x 12.17"

Left: 360 x 309mm / 14.17" x 12.17"

Right: 360 x 309mm / 14.17" x 12.17"

Port: 299 x 309mm / 11.77" x 12.17"

Port: 265 x 309mm / 10.43" x 12.77"

QTY

2

1

1

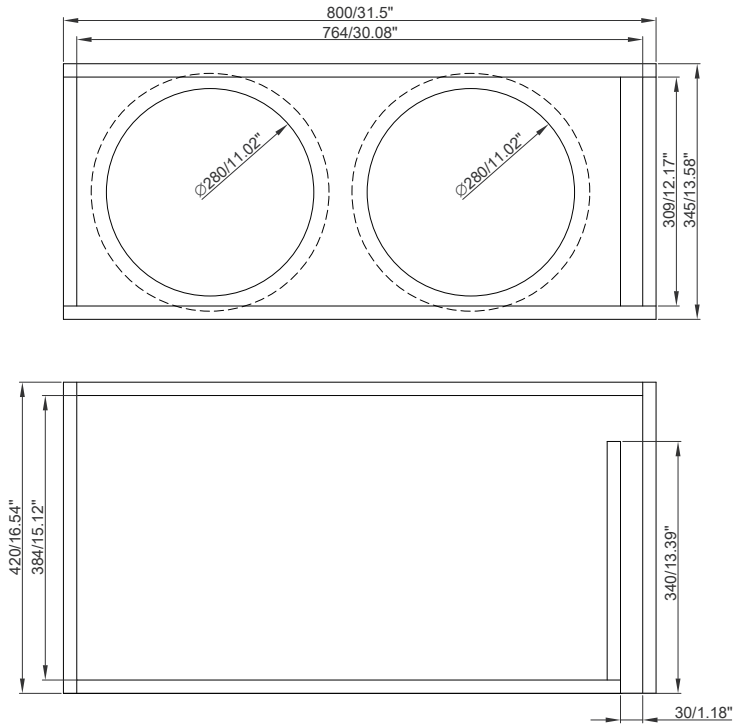
1

1

1

1

DOUBLE SUBWOOFER PORTED BOX



PARAMETERS

Box External Dimensions:

(WxHxD): 800 x 345 x 420mm /
31.5" x 13.58" x 16.54"

Material Thickness: 18mm / 0.71"

Net Internal Volume: 80.68L / 2.85 ft³

Tuning Frequency: 29.92 Hz

Port Area: 92.7 CM² / 14.37 inch²

Port Intel: 30 x 309 mm / 1.18" x 12.17"

Port Length: 340mm / 13.39 inch²

WOOD CUTS

Top - Bottom

800 x 420 mm / 31.5" x 16.54"

Front: 734 x 309 mm / 28.9" x 12.17"

Rear: 764 x 309 mm / 30.08" x 12.17"

Left: 420 x 309 mm / 16.54" x 12.17"

Right: 420 x 309 mm / 16.54" x 12.17"

Port: 322 x 309 mm / 14.76" x 12.17"

QTY

2

1

1

1

1

1



**FOR MORE INFORMATION
PLEASE VISIT
www.reissaudio.com.tr**

Turkish Engineering Since 1985

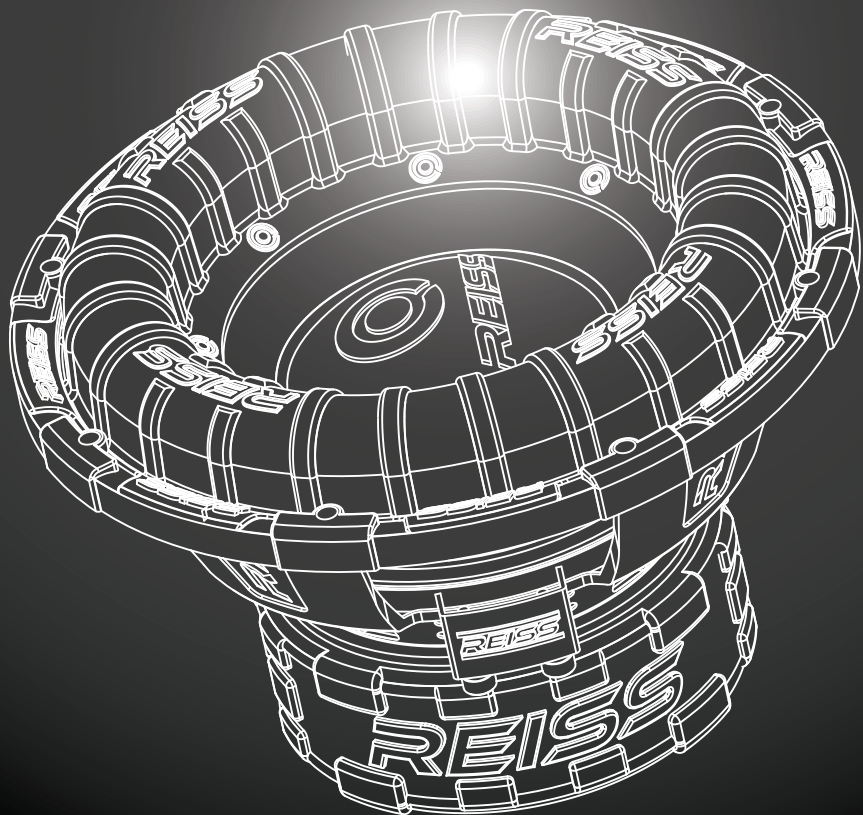
REİS ELEKTRONİK SANAYİ VE TİCARET A.Ş
İstoç Toptancılar Sitesi 15. Ada No:1-3-5-7
Mahmutbey Bağcılar / İstanbul - TÜRKİYE

OWNER'S MANUAL

RS-RX12 ULTRA D4

HIGH PERFORMANCE SUBWOOFER

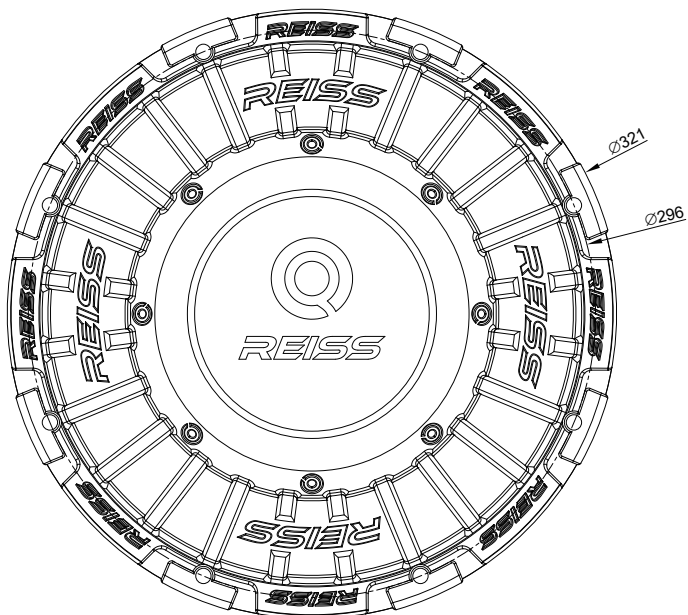
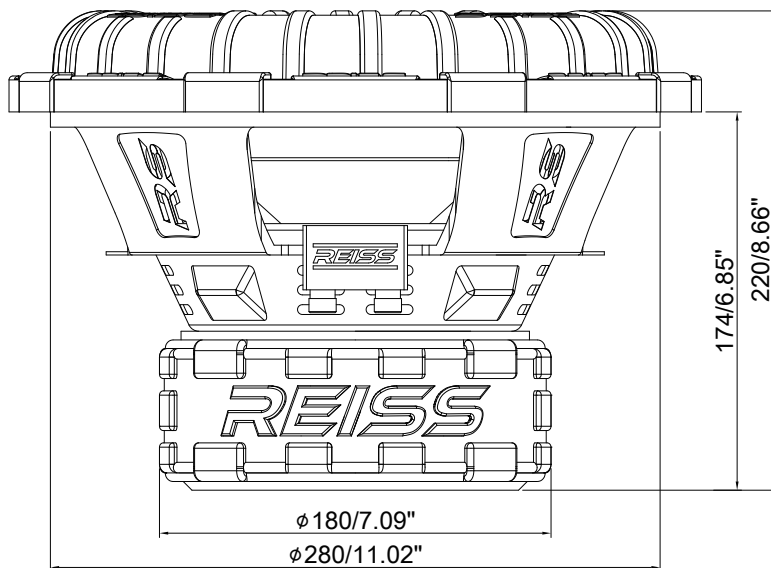
4+4 Ω



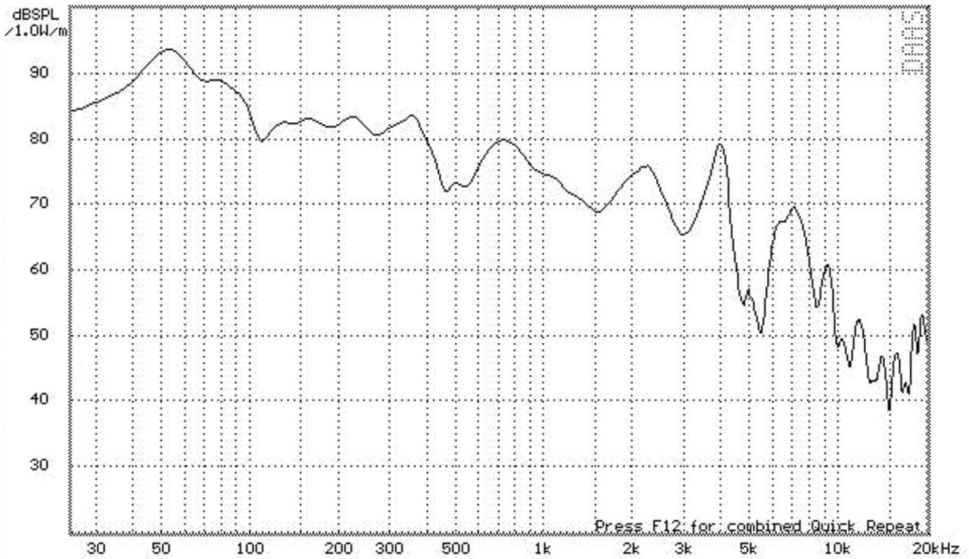
Since 1985

TURKISH ENGINEERING

RS-RX12 ULTRA D4



RS-RX12 ULTRA D2



SPECIFICATIONS

Nominal Diameter	12" / 321mm
Nominal Impedance	4+4 OHMS
RMS Power Handling	1500 Watts
MAX Power Handling	2400 Watts
Sensitivity(1w/1m)	85 dB
Frequency Response	35Hz - 1000Hz
Recommended Lo Pass Crossover	150Hz

MOTOR

Voice Coil Diameter	76.5mm / 3"
Voice Coil Former Material	Black Aluminium
Winding Material	CCAW
Cone Material	Non-Pressed Paper
Dustcap Material	PP
Surround Material	Foam
Basket Material	Steel
Basket Color	Red
Magnet Material	Ferrite
Magnet Weight	211oz
Displacement Volume	2.6L/0.092ft3

THIELE & SMALL PARAMETERS

Equivalent Volume	Vas	15.719L /0.56 ft3
Free Air Resonance	Fs	39.09Hz
Mechanical Factor	Qms	6.154
Electrical Factor	Qes	0.877
Total Factor	Qts	0.768
Moving Mass	Mms	301.275g
Compliance	Cms	0.055 mm/N
BL Factor	BL	11.907Tm
Voice Coil Inductance	Le	1.713 mH
Diaphragm Area	Sd	448.6 CM2
DC Resistance	Re	3.2+3.2 OHM
Efficiency Bandwidth Product	EBP.....	44.5

MEASUREMENT

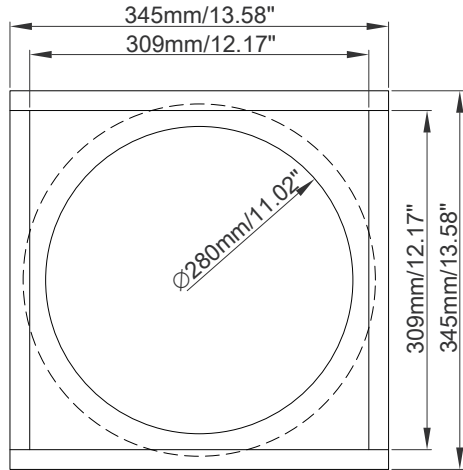
Overall Diameter	321mm / 12.64"
Overall Depth	220mm / 8.66"
Front Mount Baffle Cutout	280mm / 11.02"
Mounting Depth	174mm / 6.85"
Motor Diameter	180mm / 7.09"

RECOMMENDED ENCLOSURES

Sealed Internal Volume	23.13L /0.82ft3
Sealed Box Output Response	52.03Hz
Ported Internal Volume	34.11L / 1.2ft3
Port Size *Square (WxHxL)	25mm x 309mm x 550mm 0.98" x12.17" x 21.65"
Port Tuning Frequency	35Hz
Ported Box Output Response	28.26Hz

RECOMMENDED BOX DIMENSION

SINGLE SUBWOOFER SEALED BOX



PARAMETERS

Box External Dimensions:
(WxHxD): 345mm x 345mm x 300mm
/ 13.58" x 13.58" x 11.81"

Material Thickness: 18mm / 0.71"

Net Internal Volume: 22.13L / 0.78ft³

WOOD CUTS

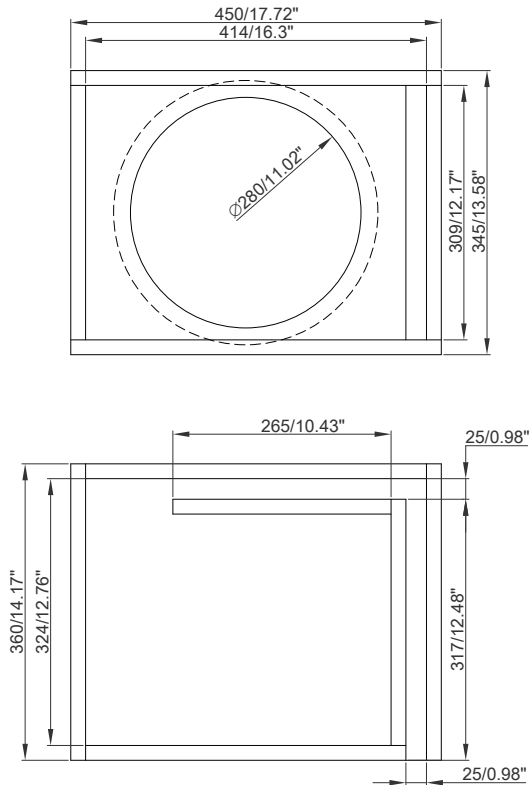
Top - Bottom
(WxH): 300mm x 345mm / 11.81" x 13.58" 2

Front - Rear
(WxH): 309mm x 309mm / 12.17" x 12.17" 2

Left - Right
(WxH): 309mm x 300mm / 12.17" x 11.81" 2

QTY

SINGLE SUBWOOFER PORTED BOX



PARAMETERS

Box External Dimensions:
(WxHxD): 450 x 345 x 360 mm /
17.72" x 13.58" x 14.17"

Material Thickness: 18mm / 0.71"

Net Internal Volume: 34.11L / 1.2ft3

Tuning Frequency: 35 Hz

Port Area: 77.25cm² / 11.97 inch²

Port Intel: 25 x 309 mm / 0.98" x 12.17"

Port Length: 550 mm / 21.65"

WOOD CUTS

Top - Bottom
450 x 360 mm / 17.72" x 14.17"

Front: 389 x 309 mm / 15.31" x 12.17"

Rear: 414 x 309 mm / 16.3" x 12.17"

Left: 360 x 309mm / 14.17" x 12.17"

Right: 360 x 309mm / 14.17" x 12.17"

Port: 299 x 309mm / 11.77" x 12.17"

Port: 215 x 309mm / 8.46" x 12.17"

QTY

2

1

1

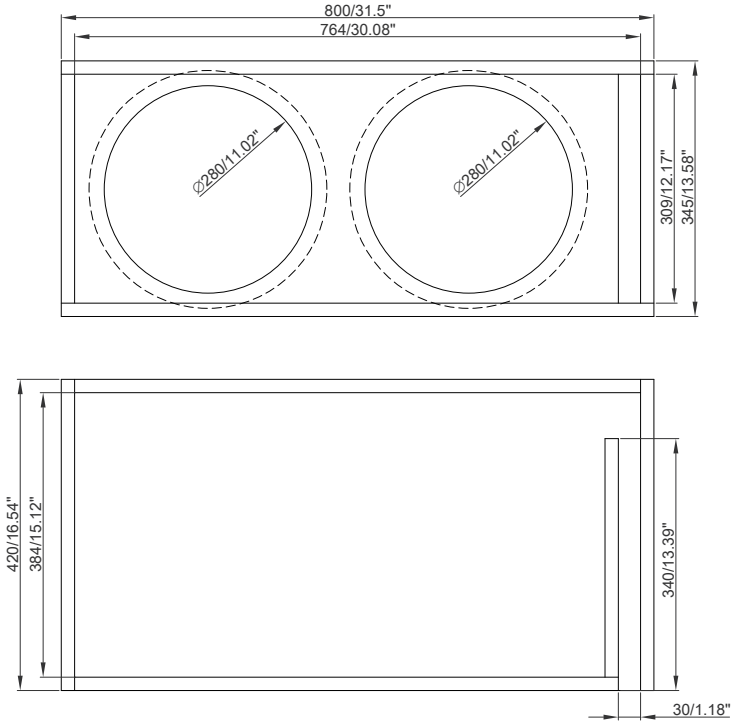
1

1

1

1

DOUBLE SUBWOOFER PORTED BOX



PARAMETERS

Box External Dimensions:
(WxHxD): 800 x 345 x 420mm /
31.5" x 13.58" x 16.54"

Material Thickness: 18mm / 0.71"

Net Internal Volume: 80.68L / 2.85 ft³

Tuning Frequency: 29.92 Hz

Port Area: 92.7 CM² / 14.37 inch²

Port Intel: 30 x 309 mm / 1.18" x 12.17"

Port Length: 340mm / 13.39 inch²

WOOD CUTS

Top - Bottom
800 x 420 mm / 31.5" x 16.54" 2

Front: 734 x 309 mm / 28.9" x 12.17" 1

Rear: 764 x 309 mm / 30.08" x 12.17" 1

Left: 420 x 309 mm / 16.54" x 12.17" 1

Right: 420 x 309 mm / 16.54" x 12.17" 1

Port: 354 x 309 mm / 13.94" x 12.17" 1

Port: 136 x 309 mm / 5.79" x 12.17" 1

QTY



**FOR MORE INFORMATION
PLEASE VISIT
www.reissaudio.com.tr**

Turkish Engineering Since 1985

REİS ELEKTRONİK SANAYİ VE TİCARET A.Ş
İstoç Toptancılar Sitesi 15. Ada No:1-3-5-7
Mahmutbey Bağcılar / İstanbul - TÜRKİYE