

RS-RTW7

133mm Aluminum Tweeter Speaker

1.5Inch Voice coil 80HM



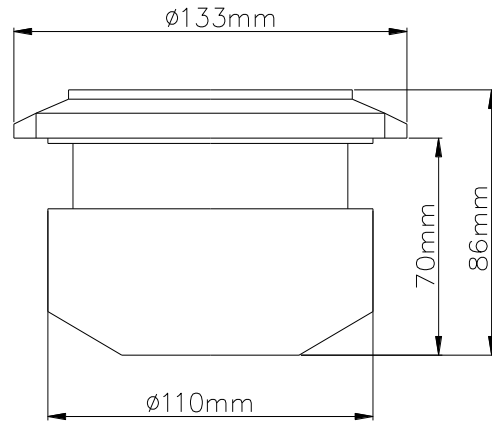
SPECIFICATIONS

General Date		Unit
Overall Dimensions	133	mm
Nominal Power Handling	120	W
Maximum Power	240	W
Sensitivity	100	db
Frequency Response	1000-20K	Hz
Cone Material	Aluminum Cone	
Net weight	1,6	kg
Electrical Date		
Nominal Impedance	8	Ohm
DC Resistance	6,2	Ohm
Voice coil and Magnet Parameters		
Voice coil Diameter	38,5	mm
Voice coil Height	2	mm
HE magnetic Gap Height	2	mm
Voice coil bobbin	Kapton	
Number of Layers	2L	
Magnet System Type	Ferrite	

FEATURES

- *Aluminum basket
- *15oz High Flux Magnet System
- *1.5"Voice coil
- *240Watts Peak Power Handling

DIMENSIONS



SPL vs Freq

