



OWNER'S MANUAL

RS-M88AX

8" MID-RANGE SPEAKER

4 Ω



Turkish Engineering Since 1985

SPECIFICATIONS

Nominal Diameter	8.26"/210 mm
Nominal Impedance	4 OHMS
RMS Power Handling	350 Watts
MAX Power Handling	700 Watts
Sensitivity(1w/1m)	97db
Frequency Response	85 ~10KHZ
Recommended Lo Pass Crossover	85 HZ
Pair or Single	Pair

MOTOR

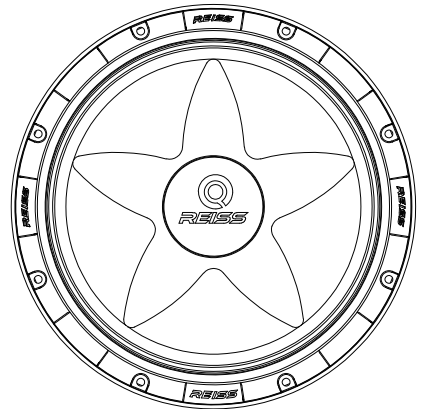
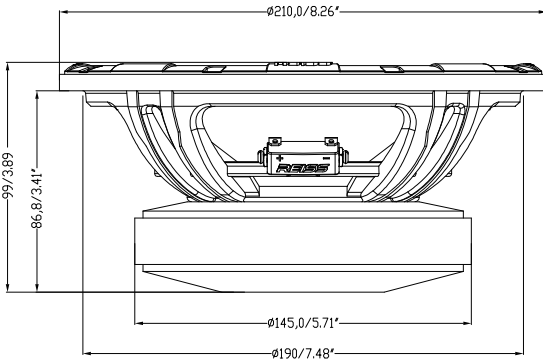
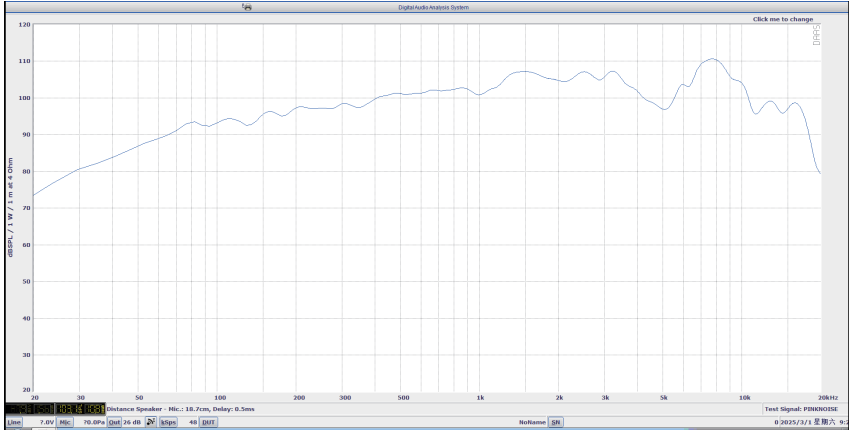
Voice Coil Diameter	2.0"/50.8mm
Voice Coil Former	Kapton
Winding Material	Copper
Cone Material	Paper
Surround Material	Cloth
Magnet Material	Ferrite
Magnet Weight	48.2oz
Basket Material	Aluminum
Basket Color / Finish	Black

THIELE & SMALL PARAMETERS

Vas	20.7L
Xmax	0.75 mm
Fs	83.8Hz
Qms	3.77
Qes	0.32
Qts	0.30
Mms	13.1
Cms	0.27MM
BL	8.0TM
Le	140.786uH
Sd	232.4 cm2
Re	3.0 Ohms

MEASUREMENTS

Overall Diameter	210 mm/8.26"
Overall Depth	99 mm/3.89"
Front Mount Baffle Cutout	Ø190/7.48"
Mounting Depth	86.8 m/3.41"
Motor Diameter	Ø145mm/5.71"





**FOR MORE INFORMATION
PLEASE VISIT
www.reissaudio.com.tr**

Turkish Engineering Since 1985

REİS ELEKTRONİK SANAYİ VE TİCARET A.Ş
İstoç Toptancılar Sitesi 15. Ada No:1-3-5-7
Mahmutbey Bağcılar / İstanbul - TÜRKİYE