



REISS AUDIO

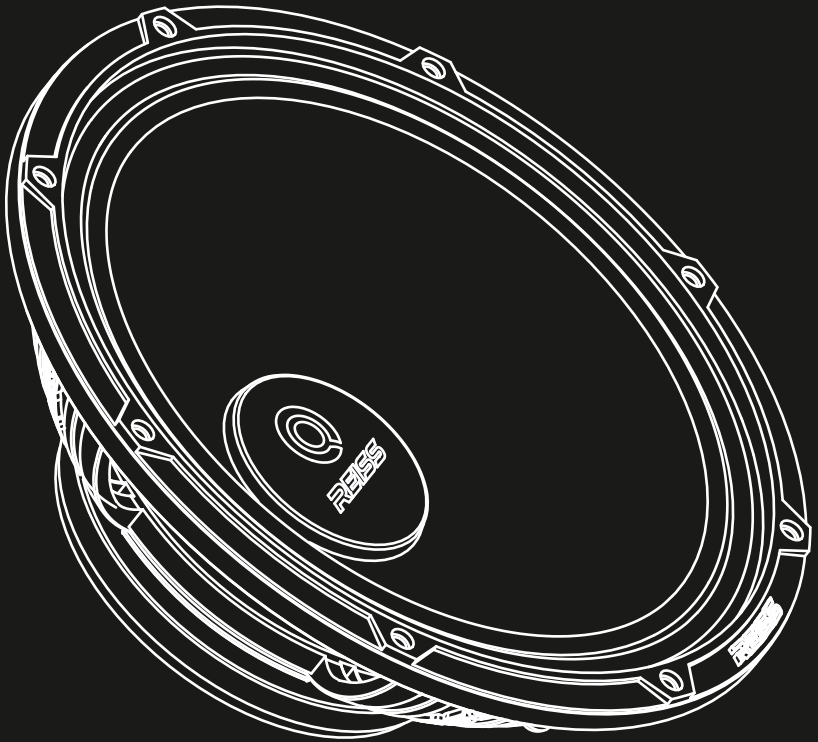
your car hifi specialist

OWNER'S MANUAL

RS.M4VB NEO

20CM MIDRANGE

4 Ω



Since 1985

TURKISH ENGINEERING

RS-M84VB NEO

SPECIFICATIONS

Nominal Diameter	8" / 203mm
Nominal Impedance	4 OHMS
RMS Power Handling	400 Watts
MAX Power Handling	800 Watts
Sensitivity(1w/1m)	98dB
Frequency Response	80~10KHZ
Recommended HPF Crossover	70HZ
Pair or Single	Pair

MOTOR

Voice Coil Diameter	2" / 50.8mm
Voice Coil Former	TL
Winding Material	CCAW
Cone Material	Non-Pressed Paper
Dustcap Material	Paper
Surround Material	Cloth
Magnet Material	Neodymium
Magnet Weight	13oz
Basket Material	Aluminium
Basket Color / Finish	Black
Displacement Volume	0.66L

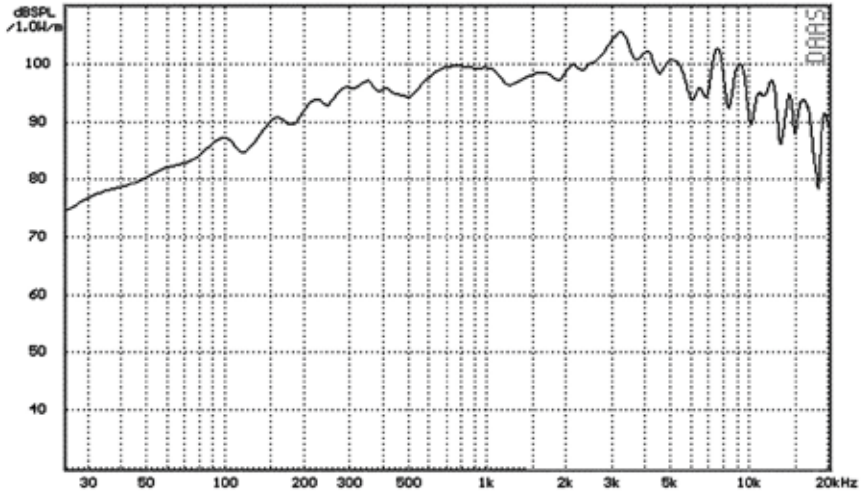
THIELE & SMALL PARAMETERS

Vas	20.72L
Xmax	5mm
Fs	80.3Hz
Qms	3.238
Qes	0.183
Qts	0.173
Mms	16.274g
Cms	241µM/N
BL	TM
Le	89.4uH
Sd	246.06cm ²
Re	3.2 Ohms
Mmd	14.055g

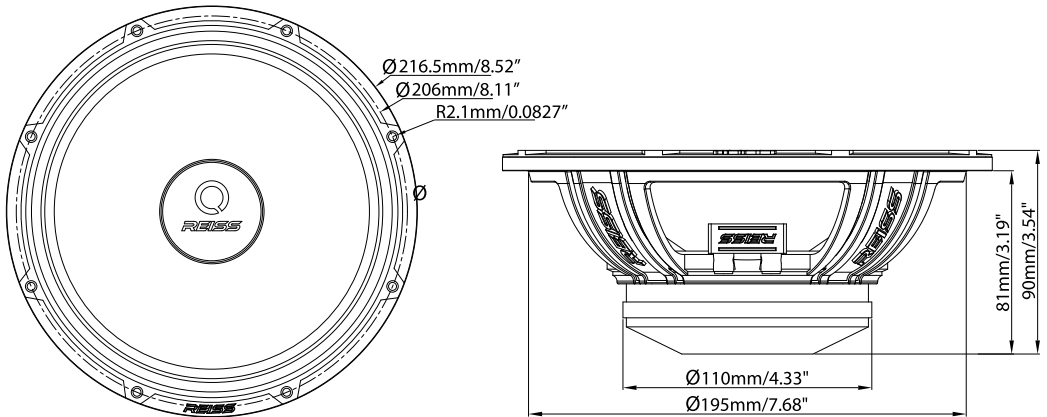
MEASUREMENTS

Overall Diameter	217mm/8.54"
Overall Depth	103mm/4.06"
Front Mount Baffle Cutout	195mm/7.68"
Mounting Depth	81mm/3.19"
Motor Diameter	110mm/4.33"

RS-M84VB NEO



MEASUREMENTS





**FOR MORE INFORMATION
PLEASE VISIT
www.reissaudio.com.tr**

Turkish Engineering Since 1985

REİS ELEKTRONİK SANAYİ VE TİCARET A.Ş
İstoç Toptancılar Sitesi 15. Ada No:1-3-5-7
Mahmutbey Bağcılar / İstanbul - TÜRKİYE