

Model: RS-M69LX

6x9 Inch Mid-Range Speaker



SPECIFICATIONS

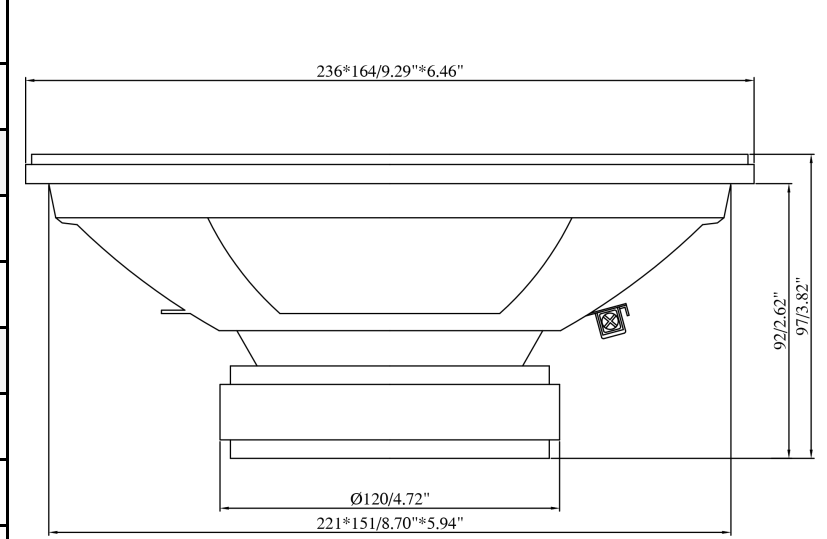
General Data **Unit**

Overall Dimensions	(236x164)x97	mm
Nominal Power Handling	150	W
Maximum Power	300	W
Sensitivity	92	dB
Frequency Response	90~14000	Hz
Cone Material	Reinforced Pulp Paper	
Basket	Steel	
Net Weight	2.46	kg

FEATURES

- Steel Basket
- Paper Cone, Treated Cloth Surround
- Dome Paper Dust Cap
- High Temperature CCAW Voice Coil
- High Performance Ferrite Magnet Structure

Dimensions



Electrical Data

Nominal Impedance	4	Ohm
DC Resistance	3.2	Ohm

Voice Coil and Magnet Parameters

Voice Coil Diameter	38.6	mm
Voice Coil Height	8	mm
Magnetic Gap Height	6	mm
Voice Coil Robbin	Kapton	
Number of Layers	2L	

T-S Parameters

Suspension Compliance	159.983µM/N	Cms
Mechanical Q Factor	8.176	Qms
Electrical Q Factor	0.73	Qes
Total Q Factor	0.67	Qts
Moving Mass	9.756g	Mms
Eq. Cas AIR Loaded	10.460L	Vas
Resonant Frequency	99.595	Fs
Effective Piston Area	214.58cm ²	SD

